



SURFACE
HINGES






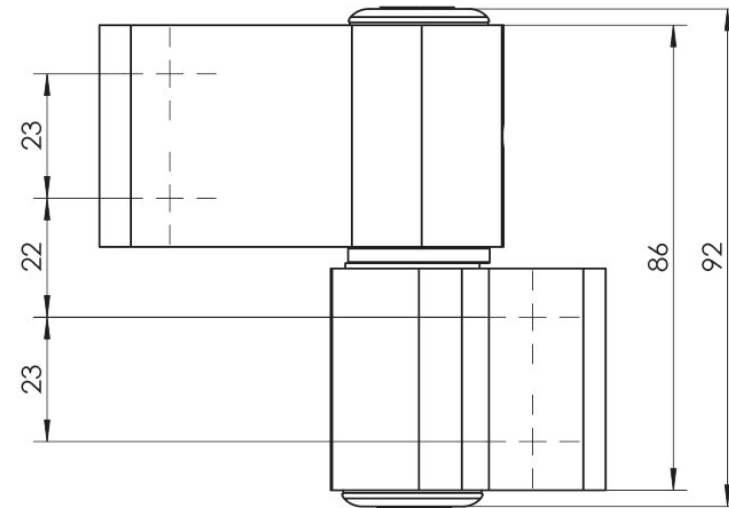
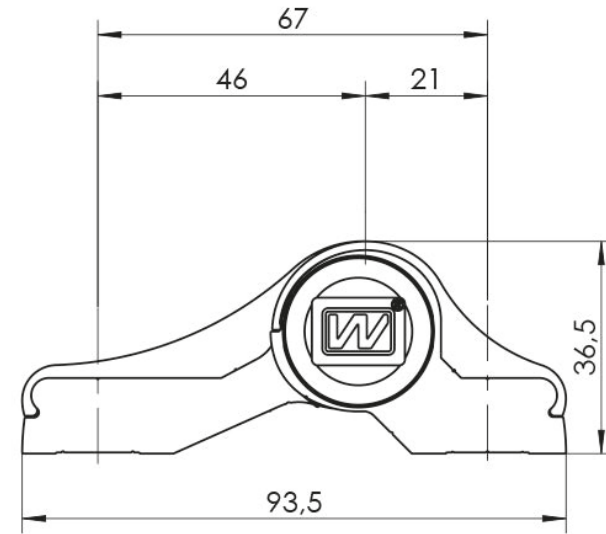
SURFACE
HINGE
MX


















SURFACE HINGES MX - ASYMETRICAL 2 - WING

- | | |
|--|---|
|  |  |
| 7016 | 7021 |
|  |  |
| 7024 | 9005 |
|  |  |
| 8077 | 8019 |
|  |  |
| 8017 | 8003 |
|  |  |
| 9001 | 1036W |
|  |  |
| 9010 | 9016 |
|  |  |
| 7035 | 9006 |
|  |  |
| ANODE NATURAL | INOX COATED |
|  |  |
| RAL | GOLDEN ELECTROPOLER |
|  |  |
| GOLD W3 | GOLD W4 |

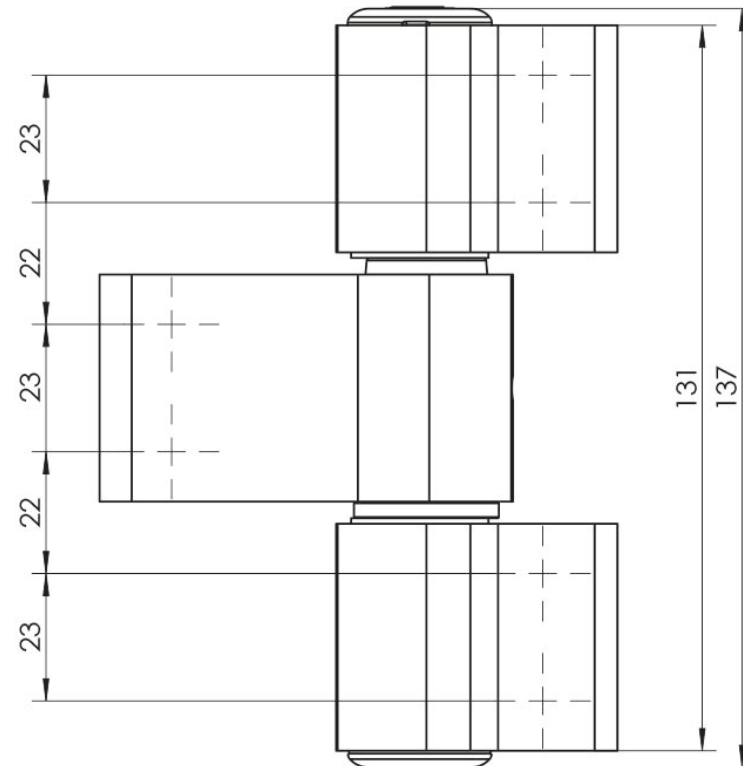
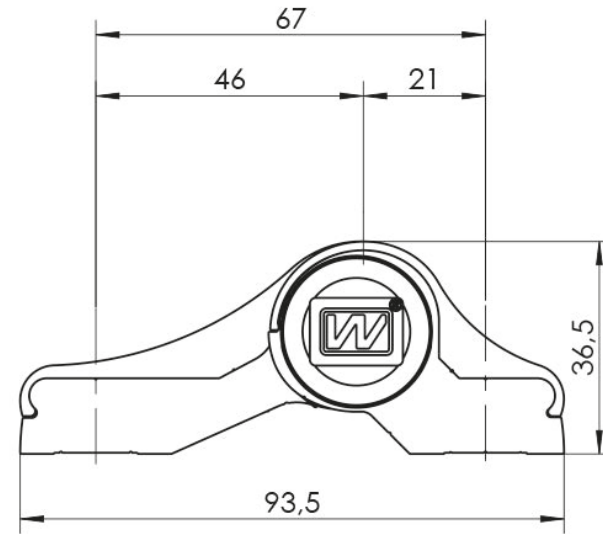
- | | |
|--|---|
|  |  |
| PLASTIC BLACK | PLASTIC WHITE |

















SURFACE HINGES MX - ASYMETRICAL 3 - WING

- | | |
|--|---|
|  |  |
| 7016 | 7021 |
|  |  |
| 7024 | 9005 |
|  |  |
| 8077 | 8019 |
|  |  |
| 8017 | 8003 |
|  |  |
| 9001 | 1036W |
|  |  |
| 9010 | 9016 |
|  |  |
| 7035 | 9006 |
|  |  |
| ANODE NATURAL | INOX COATED |
|  |  |
| RAL | GOLDEN ELECTROPOLER |
|  |  |
| GOLD W3 | GOLD W4 |

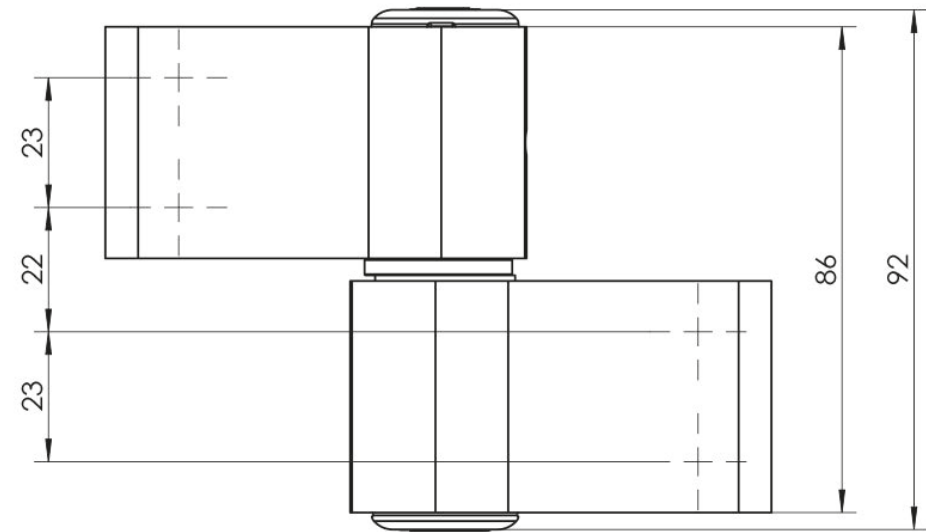
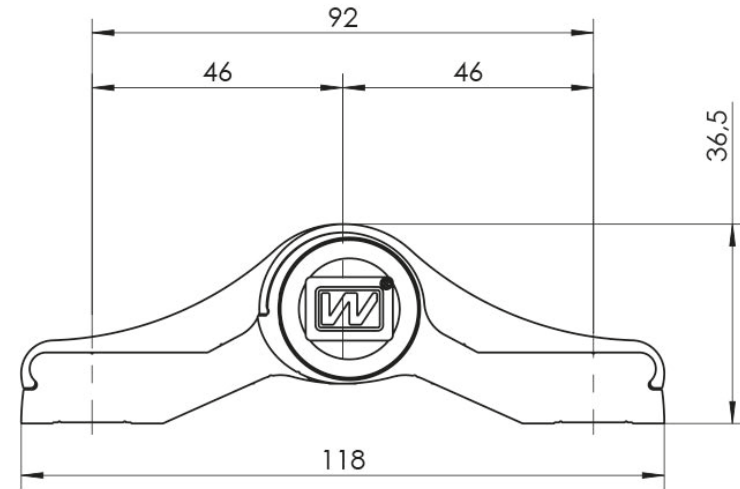
- | | |
|--|---|
|  |  |
| PLASTIC BLACK | PLASTIC WHITE |



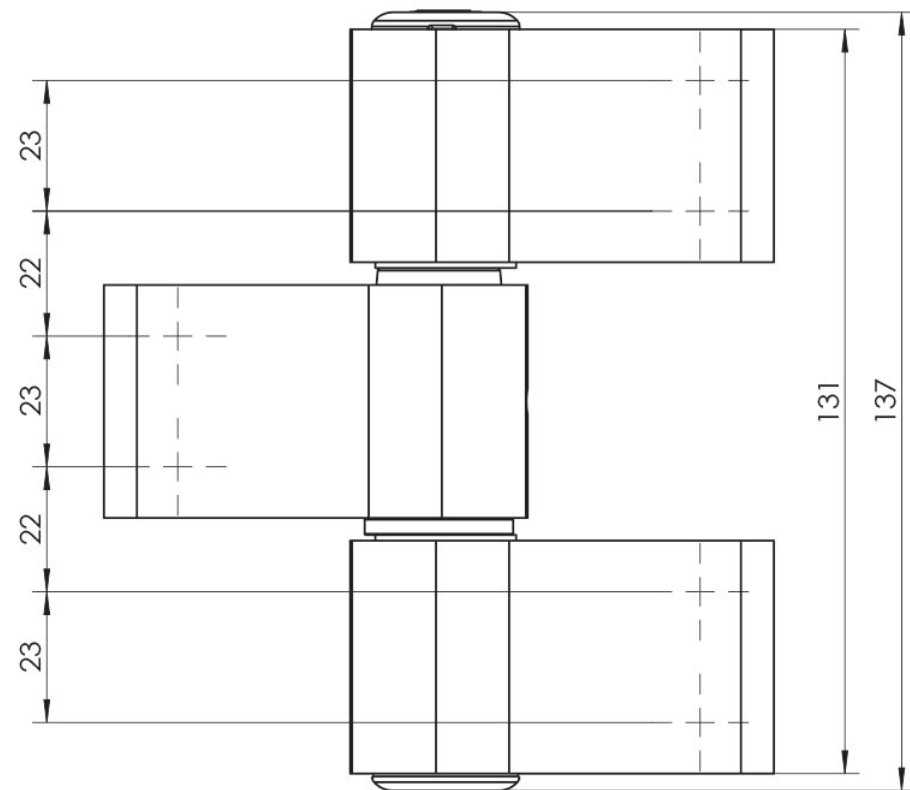
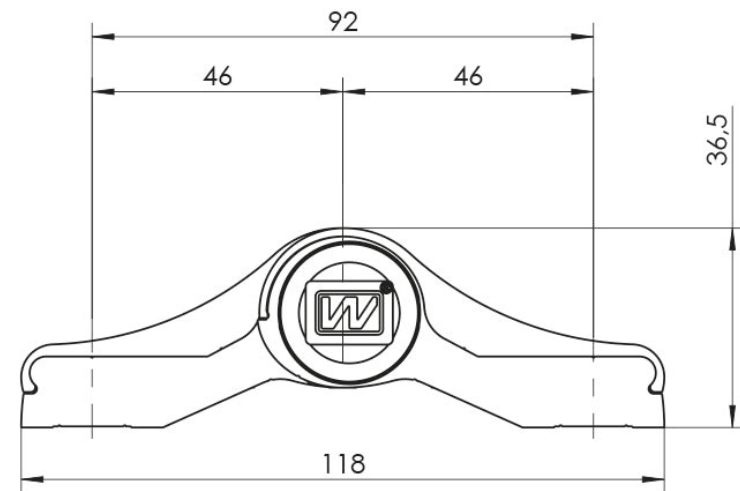
SURFACE HINGES MX - SYMETRICAL 2 - WING

- | | |
|--|---|
|  |  |
| 7016 | 7021 |
|  |  |
| 7024 | 9005 |
|  |  |
| 8077 | 8019 |
|  |  |
| 8017 | 8003 |
|  |  |
| 9001 | 1036W |
|  |  |
| 9010 | 9016 |
|  |  |
| 7035 | 9006 |
|  |  |
| ANODE NATURAL | INOX COATED |
|  |  |
| RAL | GOLDEN ELECTROPOLER |
|  |  |
| GOLD W3 | GOLD W4 |

- | | |
|--|---|
|  |  |
| PLASTIC BLACK | PLASTIC WHITE |



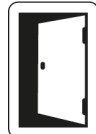
SURFACE HINGES MX - SYMETRICAL 3 - WING



SURFACE HINGES MX

FOR USE IN EMERGENCY EXIT DOORS

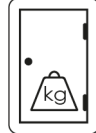
MX HINGE CLASSIFICATION EN 1935:2002 + EN 1935:2002/AC:2003



4/4 - SERVICE CLESSES



7/7 - DURABILITY



7/7 - WEIGHT OF TEST DOOR



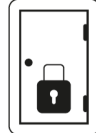
0/1 - FIRE RESISTANCE



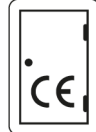
1/1 - SECURITY



3/4 - CORROSION RESISTANCE



1/1 - INTRUSION PROTECTION



14/14 - HINGE CLASS



MOUNTING SETS FOR SURFACE HINGES MX

* mounting available in stainless and INOX variants



MOUNTING SETS FOR PROFILE WITH THERMAL BARRIER (WARM)


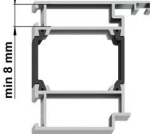








WX80104720	WX80104980	WX80105100	WX80SD4980 (INOX)*	WX80SD5100 (INOX)*	WX80SD5000	WX80SD5120	WX80SD5220	WX80SU5120 (INOX)*	WX80SU5220 (INOX)*
4 x M8X53 screw 4 x positioning sleeve 4 x adjusting sleeve (22-35mm) 2 x WN block	4 x M8X53 screw 4 x short positioning sleeve 4 x dowel sleeve TKO 48mm	4 x M8x65 screw 4 x positioning sleeve 4 x dowel sleeve TKO fire bushing 64mm	4 x quick-fastening screw 58,5mm	4 x quick-fastening screw 71,5mm	4 x long quick-fastening screw 84,5mm	2 x M8x33 screw 2 x positioning sleeve 1 x WN block 2 x quick-fastening screw 58,5mm	2 x M8x33 screw 2 x positioning sleeve 1 x WN block 2 x quick-fastening screw 71,5mm	2 x positioning screw 1 x WN block 2 x quick-fastening screw 58,5mm	2 x positioning screw 1 x WN block 2 x quick-fastening screw 71,5mm

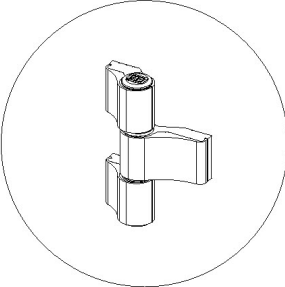
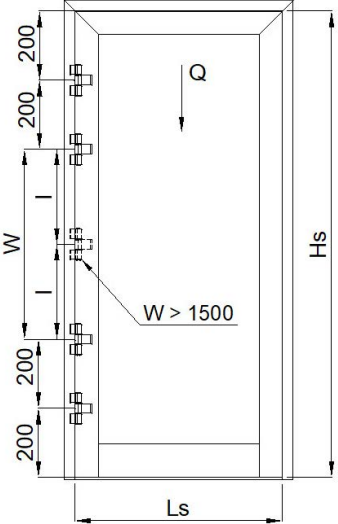




WX80104730	WX80104990	WX80105110	WX80SD4990 (INOX)*	WX80SD5110 (INOX)*	WX80SD5001	WX80SD5130	WX80SD5230	WX80SU5130 (INOX)*	WX80SU5230 (INOX)*
6 x M8x53 screw 6 x positioning sleeve 6 x adjusting sleeve 1 x WN block 1 x long WN block	6 x M8x53 screw 6 x short positioning sleeve 6 x dowel sleeve TKO 48mm	6 x M8x65 screw 6 x positioning sleeve 6 x dowel sleeve TKO fire bushing 64mm	6 x quick-fastening screw 58,5mm	6 x long quick-fastening screw 71,5mm	6 x long quick-fastening screw 84,5mm	4 x M8x33 screw 4 x positioning sleeve 1 x long WN block 2 x quick-fastening screw 58,5mm	4 x M8x33 screw 4 x positioning sleeve 1 x long WN block 2 x quick-fastening screw 71,5mm	4 x positioning screw 1 x long WN block 2 x quick-fastening screw 58,5mm	4 x positioning screw 1 x long WN block 2 x quick-fastening screw 71,5mm



MOUNTING SETS FOR SURFACE HINGES MX

* mounting available in stainless and INOX variants

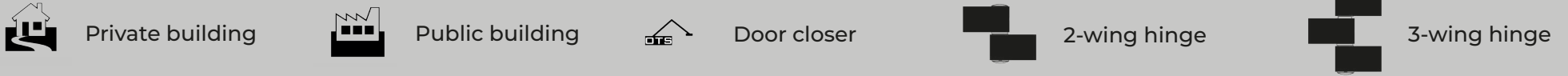
PROFILE WITHOUT THERMAL BARRIER (COLD)				PROFILE WITH NARROW THERMAL BARRIER (WARM) FROM THE HINGE SIDE (AT LEAST 8mm WIDTH)			
	PROFILE WITHOUT THERMAL BARRIER (COLD)				PROFILE WITH NARROW THERMAL BARRIER (WARM) FROM THE HINGE SIDE (AT LEAST 8mm WIDTH)		
WX80SU4700 (INOX)*	WX80104700	WX80SU4710 (INOX)*	WX80104710	WX80SU4900 (INOX)*	WX80104900	WX80SU4910 (INOX)*	WX80104910
							
4 x positioning screw 2 x WN block	4 x M8x25 screw 4 x positioning sleeve 2 x WN block	6 x positioning screw 1 x WN block 1 x WN long block	6 x M8x25 screw 6 x positioning sleeve 1 x WN block 1 x WN long block	4 x positioning screw 2 x WKU block	4 x M8x25 screw 4 x positioning sleeve 2 x WKU block	6 x positioning screw 3 x WKU block	6 x M8x25 screw 6 x positioning sleeve 3 x WKU block

MOUNTING SETS-BIG PACK					
WX50SU4700	WX50SD4980	WX50SD5100	WX50SD5000		
					
Positioning screw: 200pcs. WN block: 100pcs.	Quick-fastening screw 58,5mm: 200pcs.	Quick-fastening screw 71,5mm: 200pcs.	Quick-fastening screw 84,5mm: 200pcs.		



LOAD SELECTION SURFACE HINGES MX

If the distance between hinges in the middle of a door exceeds 1500mm, we suggest using additional hinge which caulks the door.



2x

W	S	800	900	1000	1100	1200	1300	1400
2000		98	90	84	78	72	66	62
2100		103	95	88	82	76	70	65
2200	104	100	104	93	86	79	74	68
2300				98	90	83	77	71
2400				102	94	87	81	75
2500				104	99	92	85	79
2600					97	90	82	
2700				104	102	94	87	
2800					98	91		
2900					104	103	96	
3000						104	101	

3x 2x

W	S	800	900	1000	1100	1200	1300	1400
2000		138	128	118	110	102	94	87
2100			134	124	115	106	98	91
2200	144	144	141	130	121	112	104	96
2300			137	127	118	109	101	
2400				144	134	123	114	106
2500					140	130	120	111
2600				144	136	126	117	
2700					143	132	122	
2800				144	139	129		
2900					144	135		
3000					144	142		

3x

W	S	800	900	1000	1100	1200	1300	1400
2000		173	160	148	137	127	118	109
2100			168	155	144	134	123	114
2200	176	176	163	151	140	130	120	
2300			171	158	147	136	126	
2400				176	166	154	143	132
2500					175	162	150	139
2600				176	170	158	146	
2700					166	153		
2800				176	174	161		
2900					176	169		
3000					176	176		

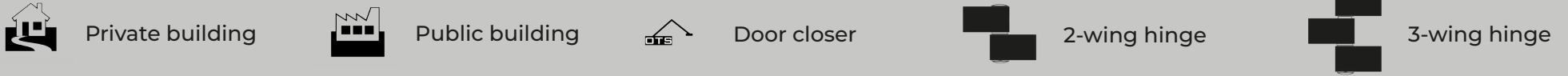
4x

W	S	800	900	1000	1100	1200	1300	1400
2000			190	176	163	151	140	130
2100			199	185	171	158	146	136
2200	200	200	194	180	166	154	142	
2300			189	174	162	150		
2400				200	198	183	170	158
2500					193	178	165	
2600				200	187	174		
2700					197	182		
2800				200	191			
2900					200			
3000					200	200		



LOAD SELECTION SURFACE HINGES MX

If the distance between hinges in the middle of a door exceeds 1500mm, we suggest using additional hinge which caulks the door.



	W	S	800	900	1000	1100	1200	1300	1400
			2000	112	112	112	104	96	89
2100	110	101	94				86	80	
2200	106	98	91				84		
2300								111	103
2400	108	100	93						
2500							106	98	
2600									110
2700	112	112	107						
2800							112	112	
2900	112	112							
3000			112				112		

	W	S	800	900	1000	1100	1200	1300	1400	
			2000	160	160	160	158	147	136	126
2100	154	143	132				122	114	105	
2200	150	139	129				119	110		
2300									158	146
2400	153	142	131				122			
2500								149	138	127
2600										
2700	160	160	152				141			
2800								160	160	
2900	160	160								
3000			160				160			

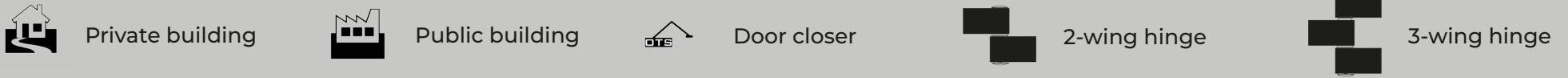
	W	S	800	900	1000	1100	1200	1300	1400	
			2000	184	184	184	173	160	148	137
2100	182	168	155				144	134	123	
2200	177	163	151				140	130		
2300									171	158
2400	180	166	154				143			
2500								175	162	150
2600										
2700	184	184	174				166			
2800								184	184	
2900	184	184								
3000			184				184			

	W	S	800	900	1000	1100	1200	1300	1400	
			2000	224	224	224	207	192	178	165
2100	218	202	186				173	160	148	
2200	212	196	182				168	155		
2300									222	206
2400	216	200	186				171			
2500								210	194	180
2600										
2700	224	224	214				198			
2800								224	224	
2900	224	224								
3000			224				224			



LOAD SELECTION SURFACE HINGES MX

If the distance between hinges in the middle of a door exceeds 1500mm, we suggest using additional hinge which caulks the door.



 2x 	W	S	800	900	1000	1100	1200	1300	1400
	2000			78	73	67	62	58	54
2100			82	76	70	66	61	56	52
2200			86	80	74	69	63	59	54
2300			90	84	78	72	66	62	57
2400			95	88	82	76	70	65	60
2500			100	93	86	79	74	68	63
2600			104	98	90	82	78	71	66
2700				102	94	87	81	75	70
2800			104	104	99	92	85	79	73
2900					97	90	82	77	
3000					104	102	94	87	81

 3x 2x 	W	S	800	900	1000	1100	1200	1300	1400
	2000			105	97	90	83	77	71
2100			110	102	94	87	81	74	69
2200			115	106	98	91	85	78	73
2300			121	112	104	96	89	82	76
2400			127	118	109	101	94	86	80
2500			134	123	114	106	98	90	84
2600			140	130	120	111	103	95	88
2700			144	136	126	117	108	100	93
2800				143	132	122	114	105	98
2900			144	144	139	129	119	110	102
3000					144	135	125	116	107

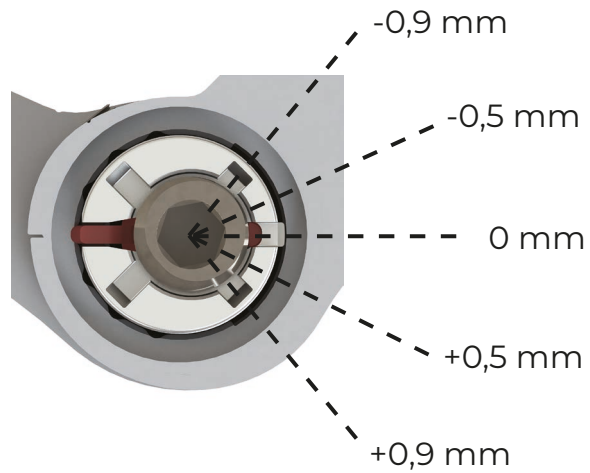
 3x 	W	S	800	900	1000	1100	1200	1300	1400
	2000			135	126	116	107	99	92
2100			142	131	122	113	105	97	90
2200			149	138	128	118	110	102	94
2300			157	145	134	124	115	106	98
2400			165	152	141	130	121	112	104
2500			173	160	148	137	127	118	109
2600			176	168	155	144	134	123	114
2700				163	151	140	130	120	
2800			176	176	171	158	147	136	126
2900					166	154	143	132	
3000					176	175	162	150	139

 4x 	W	S	800	900	1000	1100	1200	1300	1400
	2000			175	162	150	139	129	119
2100			184	170	158	146	135	126	116
2200			194	179	166	154	142	132	122
2300			200	188	174	162	150	138	128
2400				198	183	170	157	145	134
2500			200	200	192	178	165	152	141
2600					186	173	160	148	
2700			200	200	196	182	168	155	
2800					200	200	190	176	163
2900			200	200			186	171	
3000					194	180			

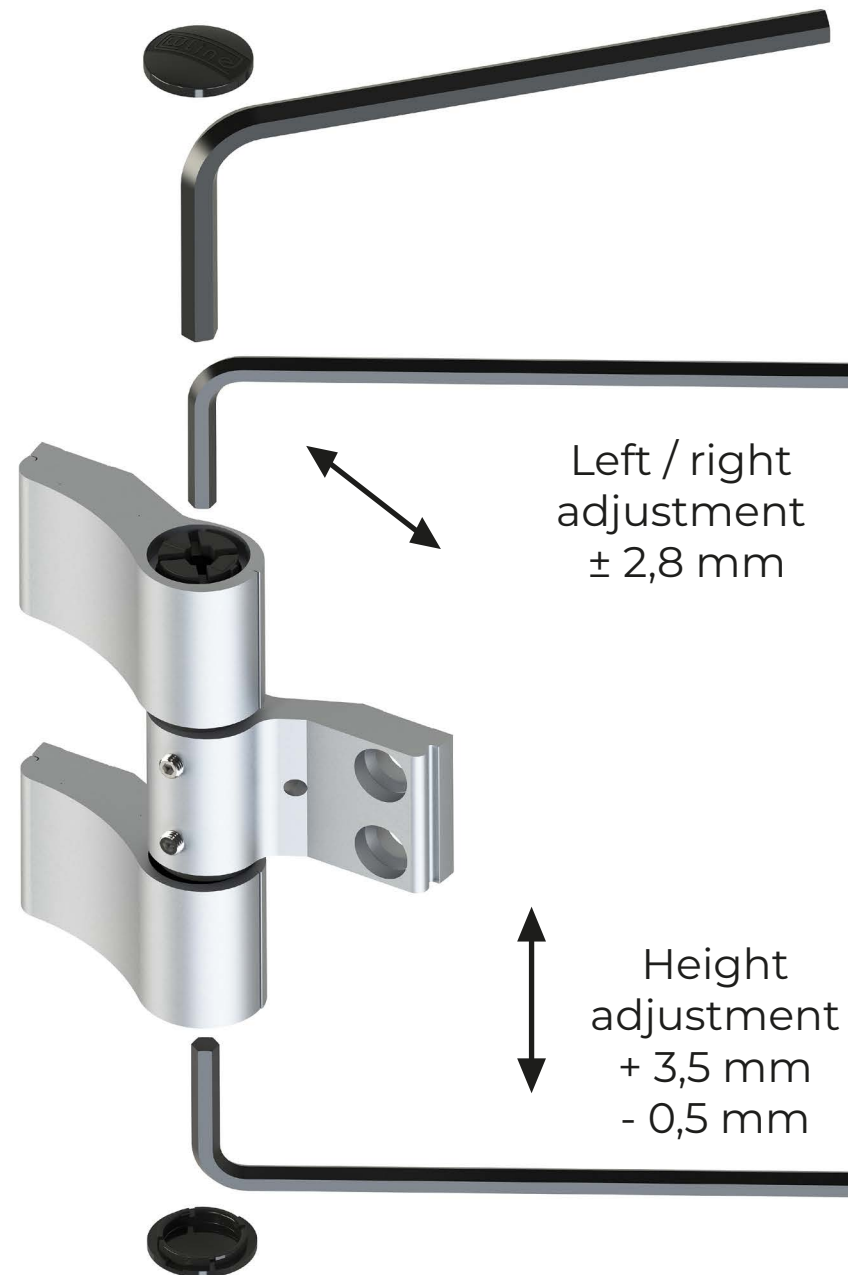
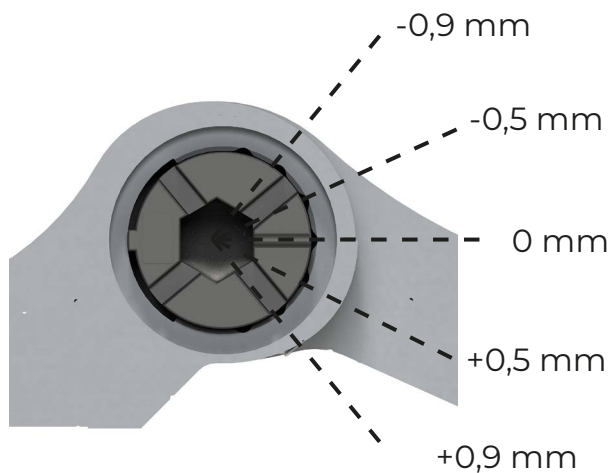


ADJUSTMENT FOR SURFACE HINGES MX


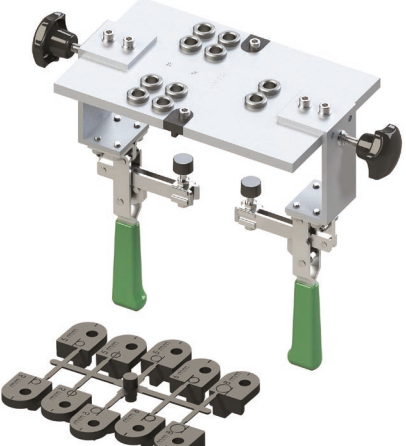

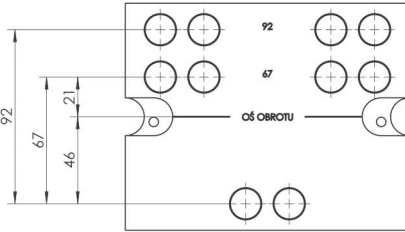
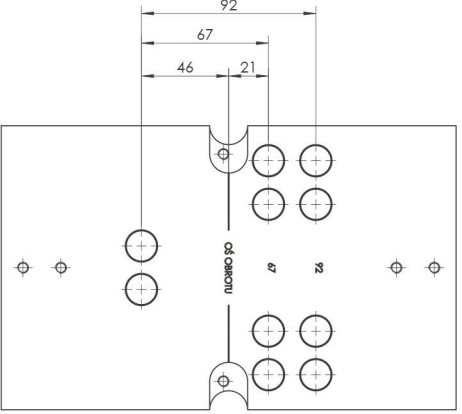
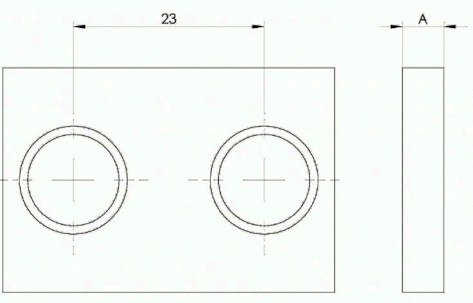
Sealing pressure adjustment



Sealing pressure adjustment (3-wing)



PATTERNS FOR DRILLING SURFACE HINGES MX

S1	S2	MX DISTANCE PLATE						
		 <table border="1" data-bbox="1624 383 1870 758"> <thead> <tr> <th>THICKNESS [A]</th> </tr> </thead> <tbody> <tr> <td>2mm</td> </tr> <tr> <td>3mm</td> </tr> <tr> <td>5mm</td> </tr> <tr> <td>8mm</td> </tr> <tr> <td>10mm</td> </tr> </tbody> </table>	THICKNESS [A]	2mm	3mm	5mm	8mm	10mm
THICKNESS [A]								
2mm								
3mm								
5mm								
8mm								
10mm								
								
<p>S1 Pattern for WX and MX Surface Hinge, dimension 67/92</p>	<p>S2 Pattern for WX and MX Surface Hinge, dimension 67/92</p>	<p>Plate must be select for suitable mounting set</p>						





WALA Sp. z o.o.
ul. Parkowa 16
43-365 Wilkowice

wala@wala.pl
tel. +48 33 82 72 390
kom. +48 725 70 80 30
www.wala.pl

